

ERCPC - REMOTE PILOT ENCLOSURE FOR ECONET SYSTEM



DESCRIPTION

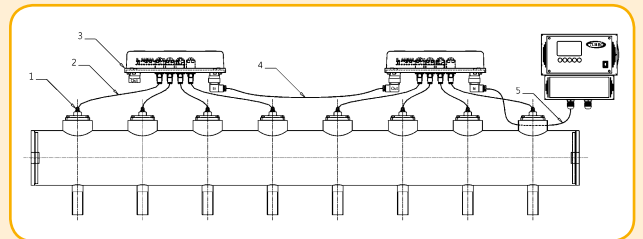
Pilot enclosure for the remote control of diaphragm valves interfaced with Econet system only.

FEATURES

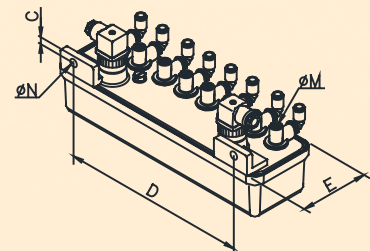
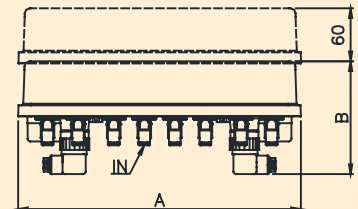
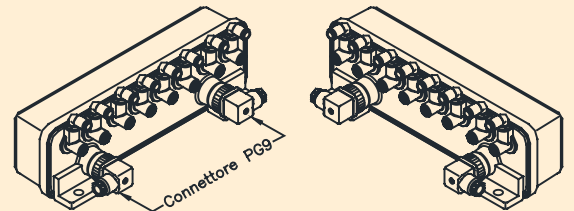
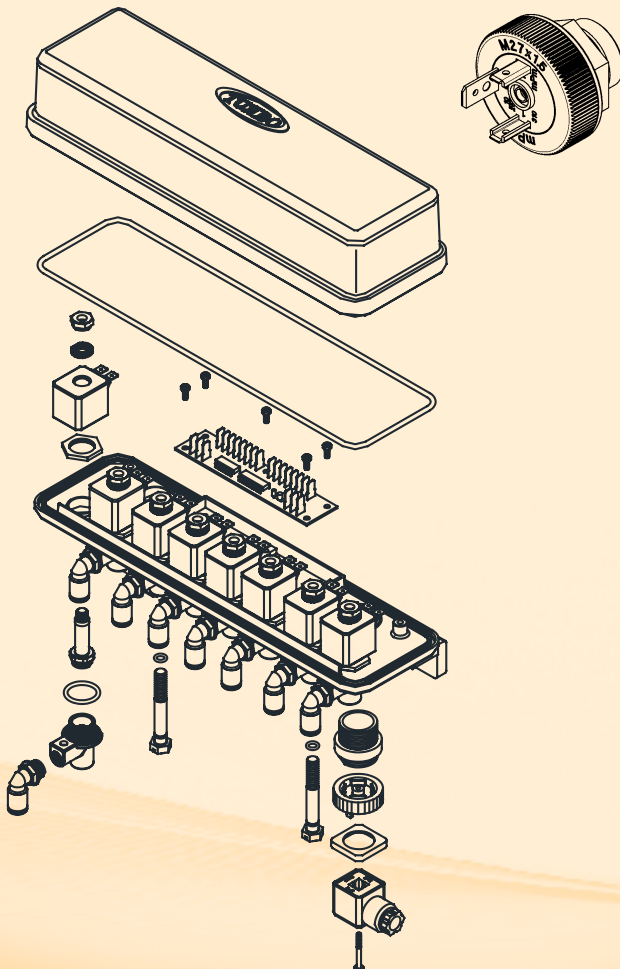
Fluids	Non-lubricated filtered air
Operating pressure	between 0.5 and 7.5 bar
Operating temperature	-20°C; +80°C
Cover and base:	Die-cast aluminium
Pilot	Stainless steel
Pilot core	Stainless steel
Screws and bolts	Stainless steel
Coil insulation	Class H
Protection	IP66
Standard voltage	24VDC (12W)

CONNECTION TO THE PILOT ENCLOSURES FOR VALVES

Connect the power supply wiring of the solenoid valves pilots from the connector of the control board terminal board, to the first ERCPC enclosure with pilots for driving the pneumatic valves, in input indicated with IN. Connect the ERCPC enclosures in sequence using the connecting cables with the DIN 43650 connectors, to be fixed to the cylindrical mounting plates. Respecting the IN -> OUT polarity, mount the gaskets to manage the IP sealing of the circuit.



- 1 Remote pneumatic valve
- 2 Connection pipe between remote pilot and the valve
- 3 Enclosure with built-in pilots for driving valves
- 4 Connection cabling between the ERCPC enclosures
- 5 Control unit connection cabling to the enclosure



MODEL	A	B	C	D	E	øM	øN	Weight (kg)
ERCPC8	333	136.5	10	267	100	1/8"	11	3.3

E4T SEQUENCER IN RCP ENCLOSURE

Enclosure for the remote pneumatic activation of pulse valves for dust collector plants, via electro-pilots with direct solenoid activation.

The pilots protected inside the enclosure are isolated from the environment, away from dust, humidity, weather, accidental blows. Up to 8 pilot units (minimum 1) can be housed in each enclosure.

The E4T sequencer board functions at 24 Vdc. The accessory power supply board with transformer is mounted in the RCP enclosures at 115 and 230 Vac.



FEATURES

Enclosure Support Base	Die-cast Aluminium
Enclosure Lid	Die-cast Aluminium
Pilot Core	Stainless Steel
Screws	Stainless Steel
Protection rating from water and dust	IP66 (EN60529)
Operating Pressure	0.5 Bar to 7.5 Bar Maximum
Operating Temperature	- 20 °C + 80 °C
Environmental Humidity	0 ÷ 95% Relative non condensing
Power Supply Voltage	24 Vdc 100 Vac 50-60 Hz 240 Vac 50-60 Hz
Electric Consumption	18 Watts at Maximum Load
Coil Power Supply Voltage	24 Vdc 12 Watt
Coil Insulation	Class H
Maximum Piloting Distance	≤ 3 Metres guaranteed with Turbo s.r.l. valves
Weight of the version with 2 Pilots	2.15 Kg
Total Weight with 8 Pilots	3.3 Kg

RCP

