

E1T CONTROL UNIT SEQUENCER 4÷16 OUTPUT CHANNELS



DESCRIPTION

Sequencer for controlling the pneumatic cleaning of industrial dust collector systems. It has 2 output relay contacts and 2 digital input contacts. 3-digit luminous LED display, which allows to read the unit operating status, the active solenoid valves and any alarms, at all times.

OPTIONS UPON REQUEST

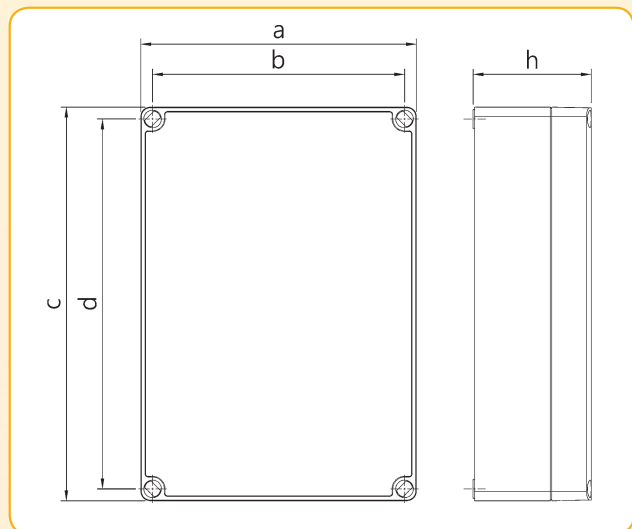
- Activation of 2 solenoid valves for every output channel.
- Cable glands for power supply input and output of solenoid valves drive cables.
- Connector from wired panel for connection to Matrix cabling.
- Built-in pilots for remote control of the pneumatic valves.
- Casing container with different format.
- Zone 22 ATEX Certification.

REFERENCE STANDARDS

- Directive 2014/30/EC Electromagnetic Compatibility meeting European harmonised standards EN61000-6-2:2005 class B in standard EN61000-6-4:2001
- Directive 2014/35/EU Low Voltage meeting European harmonised standards EN 60947-1:2004

TECHNICAL SPECIFICATIONS

Power supply voltage	115 Vac 50-60 Hz \pm 10 % 230 Vac 50-60 Hz \pm 10 %
Power supply voltage upon request	24 Vac \pm 10 % 24 Vdc \pm 10 %
Output voltage for solenoid valves	115 Vac 50-60 Hz 230 Vac 50-60 Hz 24 Vac 24 Vdc
Inputs	Remote enabling consent switch. Post-cleaning cycles fan switch.
Solenoid valves output channels	4 ÷ 16
Electric consumption	28 Watts at maximum load
Alarm Relays	2 normally closed Maximum load: 3A @ 250Vac, 2A @ 24Vdc, 24 Vac.
Screen	3 x 0.8 inch digit 7-segment LED display
5 x 20 mm glass fuse	115 or 230 Vac 1 x 1 A 24 Vac or 24 Vdc 1 x 3 A
Operating temperature	-10 °C - 55 °C
Storage temperature	-20 °C - 60 °C
Environmental humidity	0 ÷ 95% Relative non condensing
Valves opening impulse time	50 m.sec. ÷ 5 sec.
Interval pause time between valves opening	1 sec. ÷ 999 sec.
Casing	Base in ABS Lid in Polycarbonate
Protection rating from water and dust	IP65 DIN EN 60529
Shock resistance	IK07 2 Joule (EN62262)



For additional information and technical specifications, consult www.turbocontrols.eu

	Number of output channels		Dimension of the Structure			
	a	b	c	d	h	
4 ÷ 8	175	160	175	160	75	
12 ÷ 16	175	160	250	235	75	

E1T CONTROL UNIT SEQUENCER 20÷99 OUTPUT CHANNELS



DESCRIPTION

Sequencer for controlling the pneumatic cleaning of industrial dust collector systems. It has 3 output relay contacts and 2 digital input contacts. 3-digit luminous LED display, which allows to read the unit operating status, the active solenoid valves and any alarms, at all times. Data storage Micro SD memory board.

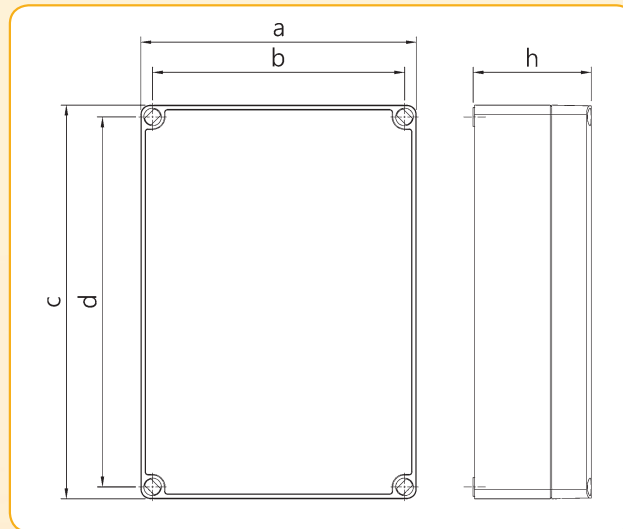
OPTIONS UPON REQUEST

- Activation of 2 solenoid valves for every output channel.
- Cable glands for power supply input and output of solenoid valves drive cables.
- Connector from wired panel for connection to Matrix cabling.
- Built-in pilots for remote control of the pneumatic valves.
- Casing container with different format.
- Zone 22 ATEX Certification.

REFERENCE STANDARDS

- Directive 2014/30/EC Electromagnetic Compatibility meeting European harmonised standards EN61000-6-2:2005 class B in standard EN61000-6-4:2001
- Directive 2014/35/EU Low Voltage meeting European harmonised standards EN 60947-1:2004

TECHNICAL SPECIFICATIONS	
Power supply voltage	115 Vac 50-60 Hz ± 10 % 230 Vac 50-60 Hz ± 10 %
Power supply voltage upon request	24 Vac ± 10 % 24 Vdc ± 10 %
Output voltage for solenoid valves	115 Vac 50-60 Hz 230 Vac 50-60 Hz 24 Vac 24 Vdc
Inputs	Remote enabling consent switch. Post-cleaning cycles fan switch.
Solenoid valves output channels	20 ÷ 99 with expansions
Electric consumption	28 Watts at maximum load
Alarm Relays	3 normally closed Maximum load: 3A @ 250Vac, 2A @ 24Vdc, 24 Vac.
Screen	3 x 0.8 inch digit 7-segment LED display
5 x 20 mm glass fuse	115 or 230 Vac 1 x 1 A 24 Vac or 24 Vdc 1 x 3 A
Operating temperature	-10 °C - 55 °C
Storage temperature	-20 °C - 60 °C
Environmental humidity	0 ÷ 95% Relative non condensing
Valves opening impulse time	50 m.sec. ÷ 5 sec.
Interval pause time between valves opening	1 sec. ÷ 999 sec.
Casing	Base in ABS Lid in Polycarbonate
Protection rating from water and dust	IP65 DIN EN 60529
Shock resistance	IK07 2 Joule (EN62262)



Number of output channels	Dimension of the Structure				
	a	b	c	d	h
20 ÷ 24	200	180	300	280	130
28 ÷ 56	200	180	400	380	130
60 ÷ 99	300	280	600	580	130

For additional information and technical specifications, consult www.turbocontrols.eu